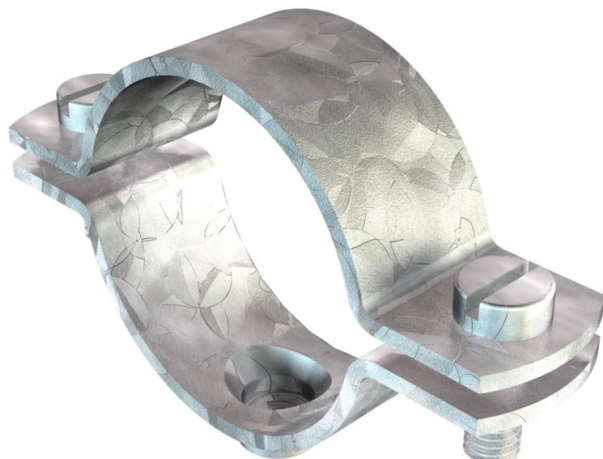


Technical data sheet

Screw-in spacer clip, heavy-duty version M8

Item number: 1387111



With thread M8.



St Steel

FT Hot-dip galvanised

Master data

Item number	1387111
Type	2900WM8 48.5 FT
Description 1	Distance saddle
Description 2	with threaded connection M8
Manufacturer	OBO
Dimension	1 1/2"
Material	Steel
Surface	Hot-dip galvanised
Surface standard	DIN EN ISO 1461
Smallest sales unit	25
Unit of quantity	Units
Weight	9,284 kg
Weight unit	kg/100 pairs

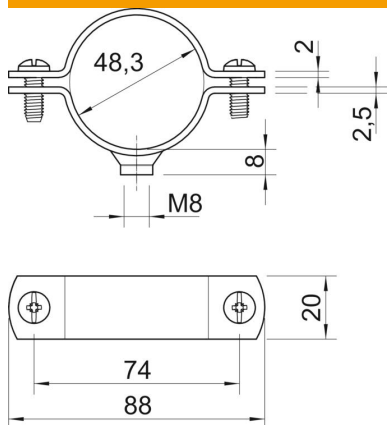
Technical data sheet

Screw-in spacer clip, heavy-duty version M8



Item number: 1387111

Dimensions



Length	88 mm
Width	20 mm
Dimension A	88 mm
Dimension B	74 mm
Dimension D	48,3 mm
Dimension d min.	48,3 mm
Dimension t	2 mm
Dimension t1 (mm)	2,5
Dimension x	3 mm

Technical specifications

Version for	Closed
Fastening type	Screw hole
For diameter	48,5
for pipe diameter	M50
Suitable in fire protection area	no
Thread	M8
Size	1 1/2"
Halogen-free	no
Plastic-covered	no
Hole size	M8 mm
Material thickness	2,5 mm
Bolt	M6 x 18
Clamping range D, max.	48,5 mm
Clamping range D, min.	45,5 mm
UV-resistant	yes