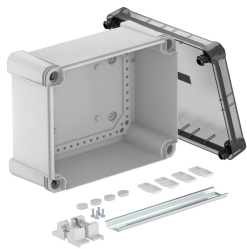


# Technical data sheet

## Empty housing X 16 with hat profile rail

Item number: 2005568



Junction box with hat profile rail for the connection of cables and lines indoors and in outdoor areas. Rectangular design without entries. Suitable for wall and ceiling mounting with the option to fasten outside, inside or to mount via the corner domes. Particularly impact resistant with IK09. Transparent cover with quick lock, sealable. Made from halogen-free and UV-resistant materials.

With hat profile rail 2069 and fastening set.

Junction box according to DIN EN 60670. Impact resistance IK09 according to DIN EN 50102. Protection rating IP67 according to DIN EN 60529.



PC Polycarbonate

### Master data

|                     |                            |
|---------------------|----------------------------|
| Item number         | 2005568                    |
| Type                | X16C R LGR-TR              |
| Description 1       | Empty Enclosure            |
| Description 2       | with trans. lid, rail 2069 |
| Manufacturer        | OBO                        |
| Dimension           | 240x191x125                |
| Colour              | Grey / transparent         |
| Material            | Polycarbonate              |
| Smallest sales unit | 1                          |
| Unit of quantity    | Piece                      |
| Weight              | 87.3 kg                    |
| Weight unit         | kg/100 pc.                 |

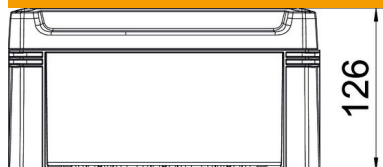
# Technical data sheet

## Empty housing X 16 with hat profile rail

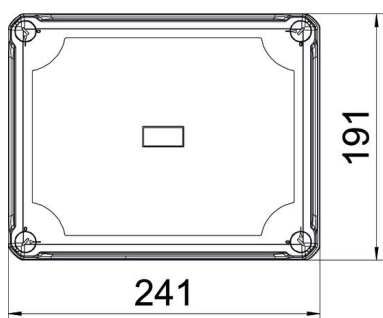
Item number: 2005568



### Dimensions



|        |        |
|--------|--------|
| Length | 241 mm |
| Width  | 191 mm |
| Height | 126 mm |



### Technical data

|                                    |                 |
|------------------------------------|-----------------|
| Extension option                   | no              |
| Cover fastening                    | Screwed         |
| Shape                              | Rectangular     |
| Suitable for outdoor use           | yes             |
| Clear internal dimensions with lid | 227x177x110 mm  |
| Mounting type                      | Surface-mounted |
| Protection rating                  | IP67            |
| Protection rating IK code          | IK09            |
| Protection class                   | II              |
| Permitted temperature range, max.  | 60 °C           |
| Permitted temperature range, min.  | -5 °C           |
| Transparent lid                    | yes             |
| Weatherproof                       | yes             |