

# Technical data sheet

End piece SL ESli2070

Item number: 6132298



End piece (left) as a fitting for the skirting trunking.  
For a clean end to the trunking system. For attaching to the trunking ends.



**PVC** Polyvinylchloride

## Master data

|                     |                      |
|---------------------|----------------------|
| Item number         | 6132298              |
| Type                | SL ESli2070 lgr      |
| Description 1       | End piece left       |
| Description 2       | SL 20x70 7035        |
| Manufacturer        | OBO                  |
| Colour              | Light grey; RAL 7035 |
| Material            | Polyvinylchloride    |
| Smallest sales unit | 10                   |
| Unit of quantity    | Piece                |
| Weight              | 0.69 kg              |
| Weight unit         | kg/100 pc.           |

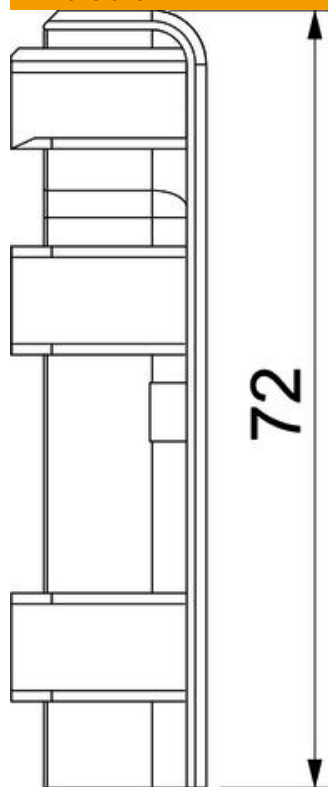
# Technical data sheet

End piece SL ESli2070

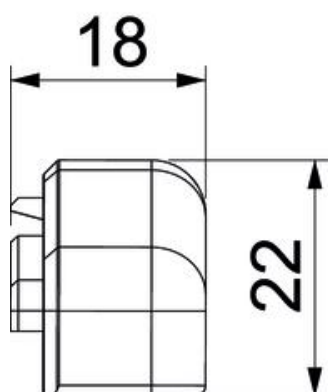
Item number: 6132298



## Dimensions



|        |       |
|--------|-------|
| Length | 22 mm |
| Width  | 18 mm |
| Height | 72 mm |



## Technical data

|             |         |
|-------------|---------|
| Version for | Left    |
| Decoration  | Without |

# Technical data sheet

End piece SL ESli2070

Item number: 6132298



## Technical data

|                                   |         |
|-----------------------------------|---------|
| Cover sealing lip                 | Without |
| Halogen-free                      | no      |
| With carpet strip                 | no      |
| Protection rating                 | IP40    |
| Protection rating IK code         | IK06    |
| Permitted temperature range, max. | 60 °C   |
| Permitted temperature range, min. | -5 °C   |
| Pre-markings                      | no      |