

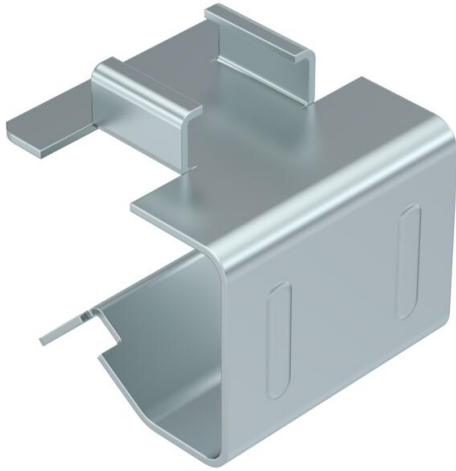
Technical data sheet

Seat piece for SCC support clamp

Item number: 1488611



Adapter to accept support clamps, type SCC (flange thickness 1–4 mm). Fastening through knocking onto steel girders.



CE

- St Steel
- ZL Zinc slat

Master data

Item number	1488611
Type	SCCA 16-20
Description 1	Seat
Description 2	for beam clamp SCC 1-4
Manufacturer	OBO
Dimension	16-20mm
Material	Steel
Surface	Zinc slat
Surface standard	
Smallest sales unit	100
Unit of quantity	Piece
Weight	1.7 kg
Weight unit	kg/100 pc.

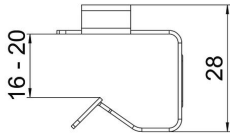
Technical data sheet

Seat piece for SCC support clamp

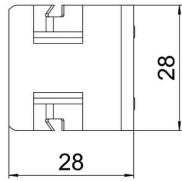
Item number: 1488611



Dimensions



Length	28 mm
Width	28 mm
Height	28 mm
Dimension L	14 mm



Technical data

Connection type/component	Miscellaneous
Fastening type	Clamp
Flange thickness F max.	20 mm
Flange thickness F min.	16 mm
Hinge, adjustable	no
Hinged	no